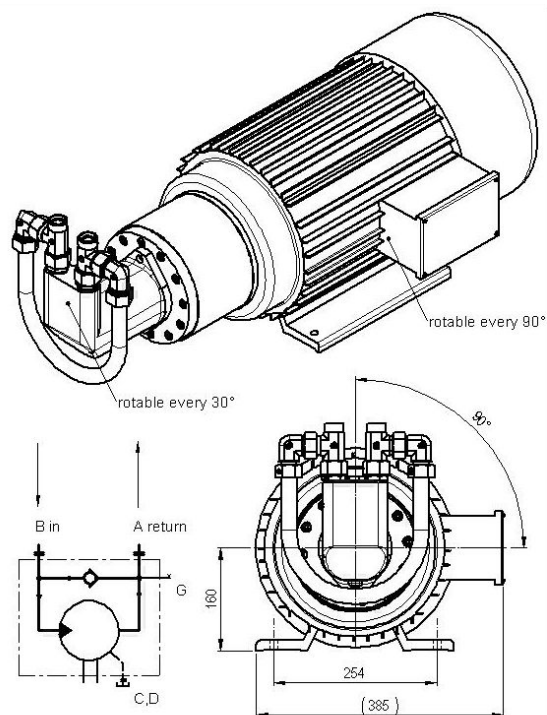
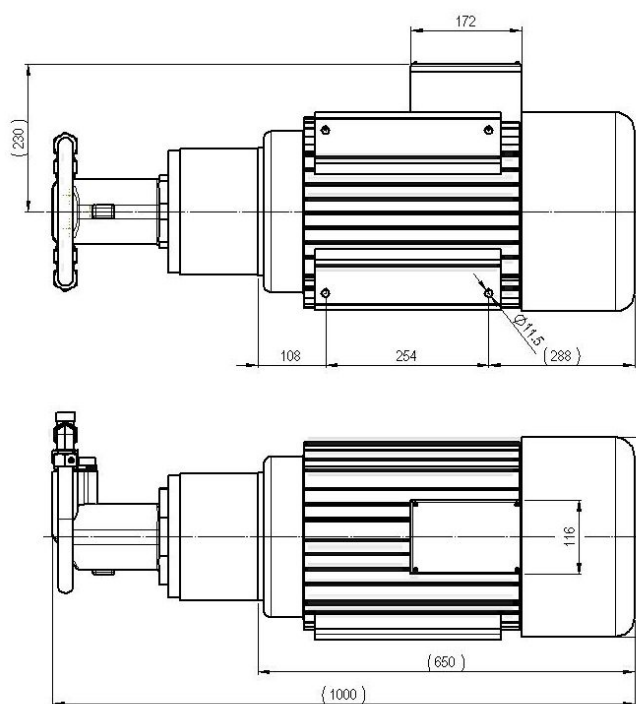


DYNAGEN 30kVA IP 54 hydraulic generator is a compact generator designed for mobile installation. The generator transforms hydraulic power into a high quality electricity, which is to be used for electrical tools and other equipment.

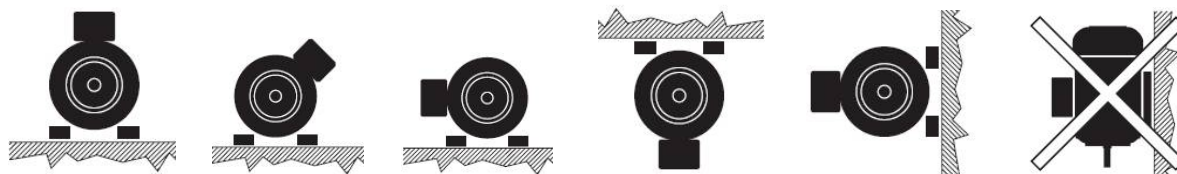
TECHNISCHE DATEN

<u>Model</u>	DY1018
<u>Power:</u>	30000 Watt
<u>Voltage:</u>	230V - 400V AC
<u>Frequency:</u>	50 Hz
<u>RPM:</u>	3000
<u>Protection:</u>	IP 54
<u>Style of construction:</u>	2-pole, synchronous generator
<u>bearing:</u>	double bearing
<u>Voltage control:</u>	elektronic regulator incorporated
<u>Hydraulicmotor:</u>	Piston motor with built in free ciruculation valve
<u>Flow min.Q:</u>	90 l/min
<u>Pressure</u>	290 bar
<u>Dimensions:</u>	1000 x 385 x 310 mm
<u>Weight:</u>	180 kg
<u>Oil cooler:</u>	min. 10 kW (recommended)

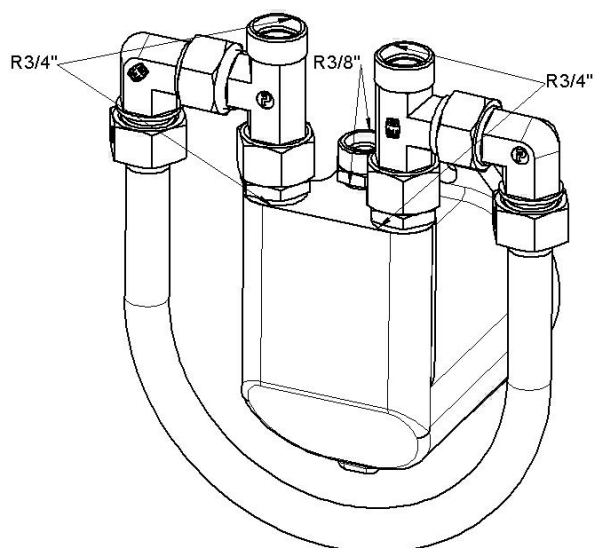
Dimensions



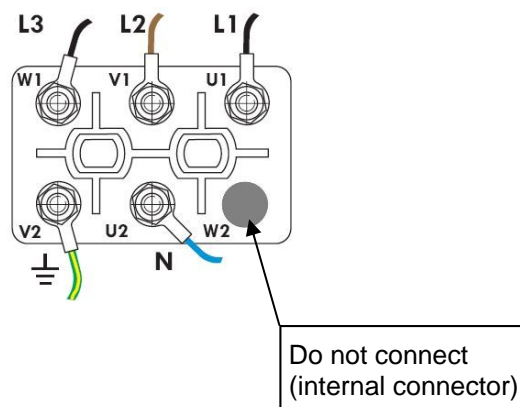
Installation position



Hydraulic connection



Electrical connection



PL 25.02.09