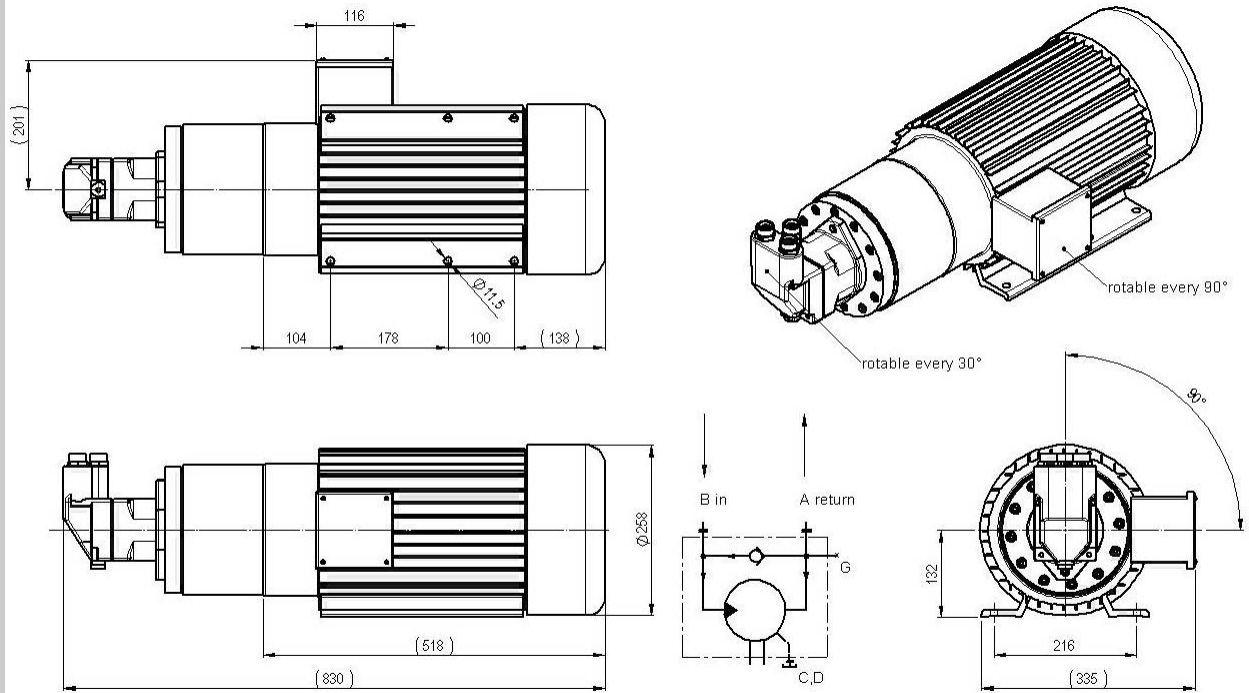


DYNAGEN 15kVA IP 54 hydraulic generator is a compact generator designed for mobile installation. The generator transforms hydraulic power into a high quality electricity, which is to be used for electrical tools and other equipment

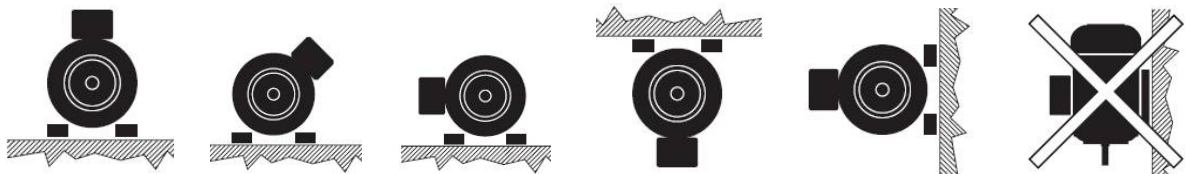
TECHNISCHE DATEN

<u>Model</u>	<u>DY1019</u>
<u>Power:</u>	<u>16000 Watt</u>
<u>Voltage:</u>	<u>230 - 400V AC</u>
<u>Frequency:</u>	<u>50 Hz</u>
<u>RPM:</u>	<u>3000</u>
<u>Protection:</u>	<u>IP 54</u>
<u>Style of construction:</u>	<u>2-pole, synchronous generator</u>
<u>bearing:</u>	<u>double bearing</u>
<u>Voltage control:</u>	<u>elektronic regulator incorporated</u>
<u>Hydraulicmotor:</u>	<u>Piston motor with built in free circulation valve</u>
<u>Flow min.Q:</u>	<u>43 l/min</u>
<u>Pressure</u>	<u>270 bar</u>
<u>Dimensions:</u>	<u>830 x 335 x 260 mm</u>
<u>Weight:</u>	<u>96 kg</u>
<u>Oil cooler:</u>	<u>4 kW (recommended)</u>

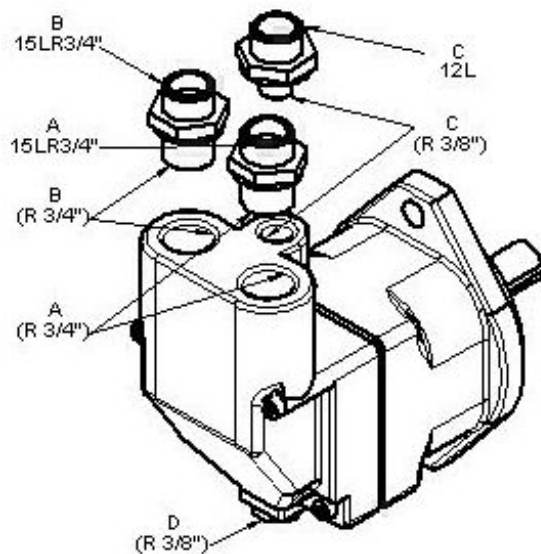
Dimensions



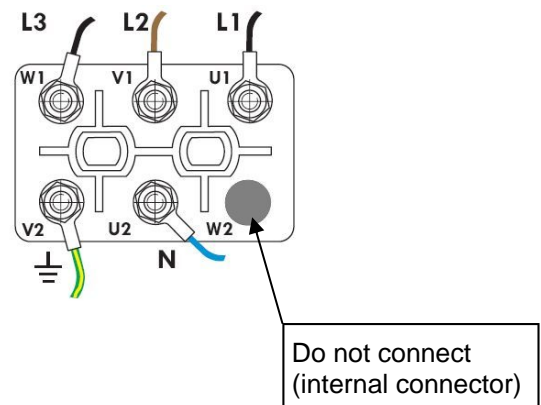
Installation position



Hydraulic connection



Electrical connection



PL 26.02.09